

TORUS 1250

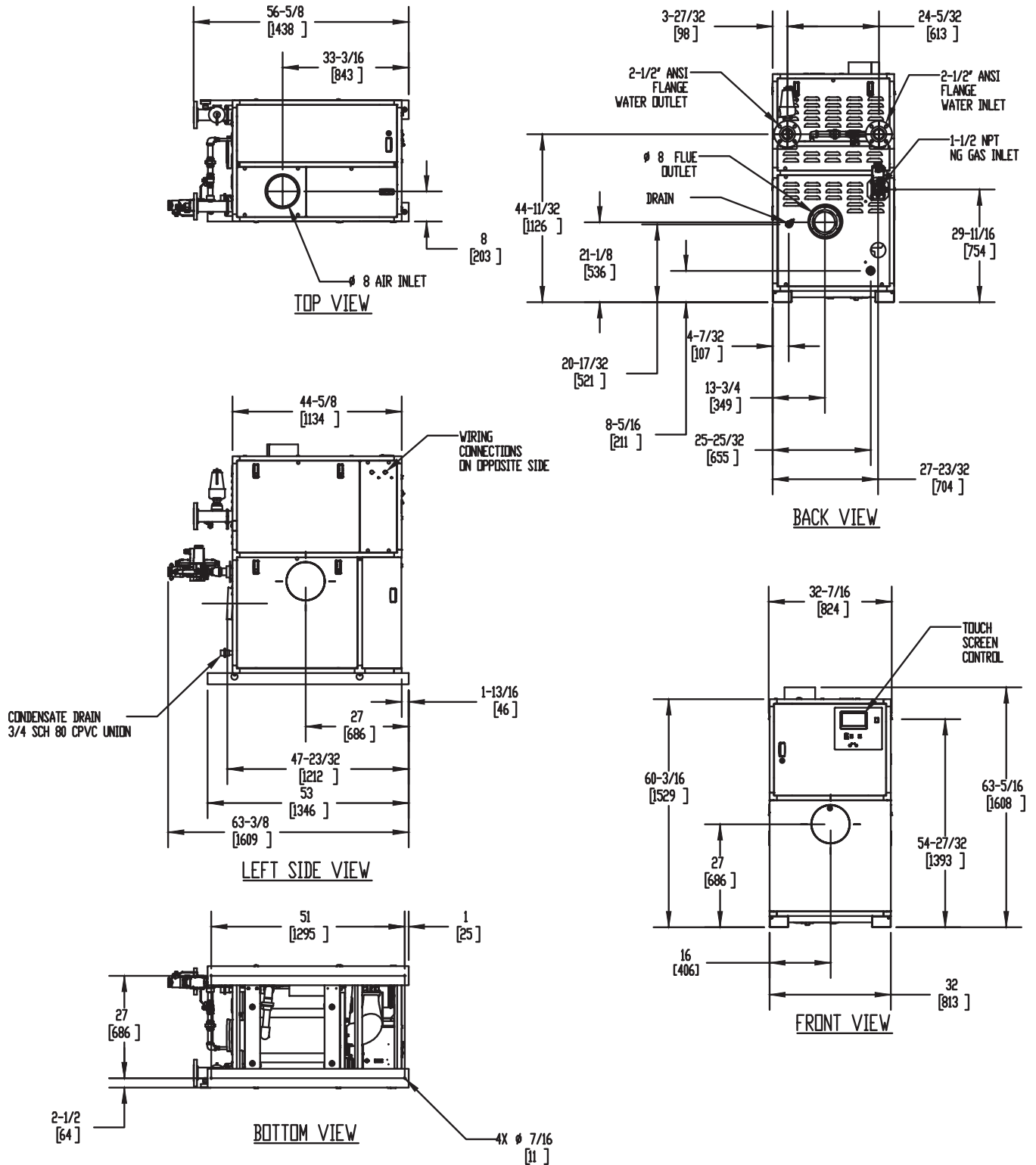
Category II or Category IV Appliance
(see Installation and Operation Manual for venting information)

CODE OPTIONS

CSD-1

FIRMWARE W/REMOTE
TEST MANUAL RESET LWCO

INDOOR UNIT



Notes:

1. Dimensions are approximate and should not be used to "rough-in" equipment.
2. Dimensions are subject to change without notice.
3. All dimensions are in inches (mm).
4. \odot Symbol indicates center of gravity.

BOILER CERTIFIED RATINGS & CAPACITIES

Fuel Type	Natural/Propane Gas	Boiler FLA	17.14*
Input BTU/hr.	1,250,000 / 366 kW	Boiler HP	36.04
Output BTU/hr.	1,206,250 / 353 kW	Min. Gas Pressure Required	4" W.C.
Electrical Requirements	120 VAC/60 Hz/1PH	Max. Gas Pressure Allowed	14" W.C.
		Operating Weight	1084 lbs / 492 kg

BOILER TRIM & CONTROLS

Main Gas Valve	Dungs MBC	Air Switch	Huba
Firing Valve	1" Apollo	Flow Switch	SIKA
Ignition Control	Fenwal	Blocked Flue Switch	Cleveland NS2
Operating Control	HeatNet®	Blower Motor	Ametek
High Limit	Jumo	L.W.C.O.	800
Main Ball Valve	1 1/2" Apollo	Relief Valve (WB)	1" x 1-1/4" set @ 50 psi
		Relief Valve (WW)	1" x 1" set @ 125 psi

Pump contactor strongly recommended for water heater applications.

A.S.M.E.

ASME Sect IV Fire Side Htg Surface	100.17 Sq. Ft. / 9.31 Sq. M.	Design Data	Max. 160 psig & 210°F
ASME Sect IV Water Side Htg Surface	92.93 Sq. Ft. / 8.63 Sq. M.	Water Volume	11 gal. / 41.6 Liters
		pH Level	6.5-8.5

* Add circulator amps.

BOILER TEMPERATURE RISE / PRESSURE DROP (Based on Full Input)

20°F / 11.1°C				30°F / 16.7°C				40°F / 22.2°C				50°F / 27.8°C				60°F / 33.3°C			
Flow Rate		Pressure Drop		Flow Rate		Pressure Drop		Flow Rate		Pressure Drop		Flow Rate		Pressure Drop		Flow Rate		Pressure Drop	
GPM	L/s	Ft	kPa	GPM	L/s	Ft	kPa	GPM	L/s	Ft	kPa	GPM	L/s	Ft	kPa	GPM	L/s	Ft	kPa
120.7	7.6	15.4	45.9	80.4	5.1	7.3	21.7	60.3	3.8	4.7	13.9	48.3	3.0	3.6	10.7	40.2	2.5	3.0	9.1
Flow GPM (Boiler)				Temp. Rise (°F) (Boiler**)				Vent Length (Equiv. Ft.)				Air Inlet Length (Equiv. Ft.)							
Min		Max		Min		Max		Min		Max		Min		Max					
40.2		120.7		20		60		8		160		0		160					

** Min/Max delta t reflects boiler operation at full input. For applications requiring operation above/below these parameters please consult factory.

WATER HEATER HOURLY RECOVERY CAPACITY (GPH & LPH)

40°F	22°C	60°F	33°C	80°F	44°C	100°F	56°C	120°F	67°C	140°F	78°C
3639	13755	2426	9170	1819	6878	1456	5502	1213	4585	1040	3930

Water Heater Min Flow Rates

Normal (4 to 12) gpg				Hard (12 to 15) gpg			
Flow Rate		Pressure Drop		Flow Rate		Pressure Drop	
gpm	L/s	Ft	kPa	gpm	L/s	Ft	kPa
99.0	6.2	10.5	31.4	132.0	8.3	18.3	54.7

REP FIRM _____
SUBMITTED BY _____
JOB NAME _____
ARCHITECT _____
ENGINEER _____
CONTRACTOR _____
DATE _____

TORUS 1250

Category II or Category IV Appliance
(see Installation and Operation Manual for venting information)



A Division of Mestek, Inc.
Westfield, MA 01085
(413) 564-5515

TORUS 1250

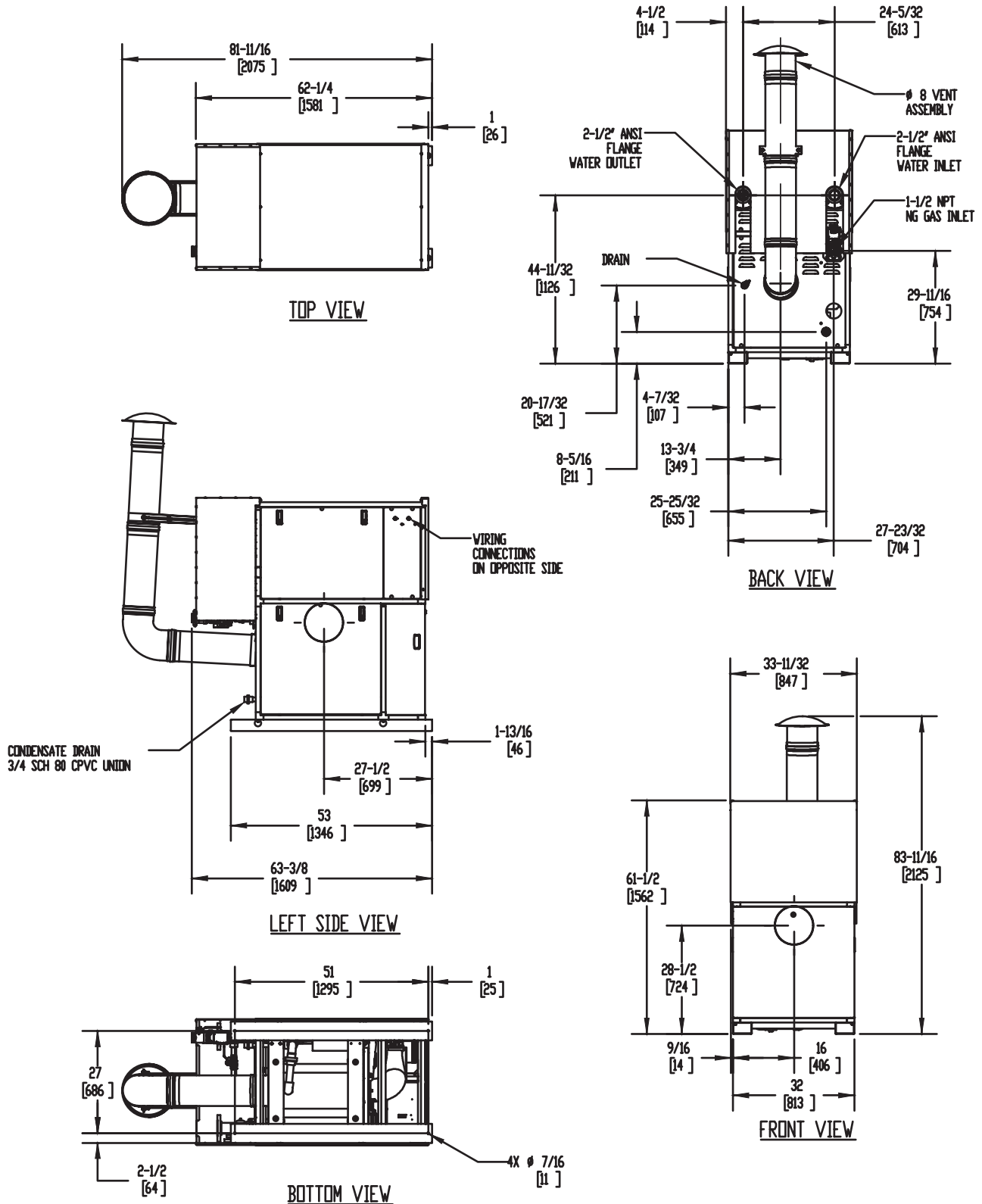
Category II or Category IV Appliance
(see Installation and Operation Manual for venting information)

CODE OPTIONS

CSD-1

FIRMWARE W/REMOTE
TEST MANUAL RESET LWCO

OUTDOOR UNIT



Notes:

1. Dimensions are approximate and should not be used to "rough-in" equipment.
2. Dimensions are subject to change without notice.
3. All dimensions are in inches (mm).
4. ⦿ Symbol indicates center of gravity.

BOILER CERTIFIED RATINGS & CAPACITIES

Fuel Type	Natural/Propane Gas	Boiler FLA	17.14*
Input BTU/hr.	1,250,000 / 366 kW	Boiler HP	36.04
Output BTU/hr.	1,203,750 / 353 kW	Min. Gas Pressure Required	4" W.C.
Electrical Requirements	120 VAC/60 Hz/1PH	Max. Gas Pressure Allowed	14" W.C.
		Operating Weight	1084 lbs / 492 kg

BOILER TRIM & CONTROLS

Main Gas Valve	Dungs MBC	Air Switch	Huba
Firing Valve	1" Apollo	Flow Switch	SIKA
Ignition Control	Fenwal	Blocked Flue Switch	Cleveland NS2
Operating Control	HeatNet®	Blower Motor	Ametek
High Limit	Jumo	L.W.C.O.	800
Main Ball Valve	1 1/2" Apollo	Relief Valve (WB)	1" x 1-1/4" set @ 50 psi
Pump contactor strongly recommended for water heater applications.		Relief Valve (WW)	1" x 1" set @ 125 psi

A.S.M.E.

ASME Sect IV Fire Side	100.17 Sq. Ft. / 9.31 Sq. M.	Design Data	Max. 160 psig & 210°F
Htg Surface		Water Volume	11 gal. / 41.6 Liters
ASME Sect IV Water Side	92.93 Sq. Ft. / 8.63 Sq. M.	pH Level	6.5-8.5
Htg Surface			

* Add circulator amps.

BOILER TEMPERATURE RISE / PRESSURE DROP (Based on Full Input)

20°F / 11.1°C				30°F / 16.7°C				40°F / 22.2°C				50°F / 27.8°C				60°F / 33.3°C			
Flow Rate		Pressure Drop		Flow Rate		Pressure Drop		Flow Rate		Pressure Drop		Flow Rate		Pressure Drop		Flow Rate		Pressure Drop	
GPM	L/s	Ft	kPa	GPM	L/s	Ft	kPa	GPM	L/s	Ft	kPa	GPM	L/s	Ft	kPa	GPM	L/s	Ft	kPa
120.4	7.6	15.3	45.7	80.3	5.1	7.2	21.6	60.2	3.8	4.6	13.9	48.2	3.0	3.6	10.6	40.1	2.5	3.0	9.1

Flow GPM (Boiler)		Temp. Rise (°F) (Boiler**)				Vent Length (Equiv. Ft.)		Air Inlet Length (Equiv. Ft.)	
Min	Max	Min	Max	Min	Max	Min	Max	Min	Max
40.1	120.4	20	60	8	160	0	160		

** Min/Max delta t reflects boiler operation at full input. For applications requiring operation above/below these parameters please consult factory.

WATER HEATER HOURLY RECOVERY CAPACITY (GPH & LPH)

40°F	22°C	60°F	33°C	80°F	44°C	100°F	56°C	120°F	67°C	140°F	78°C
3639	13755	2426	9170	1819	6878	1456	5502	1213	4585	1040	3930

Water Heater Min Flow Rates

Normal (4 to 12) gpg				Hard (12 to 15) gpg			
Flow Rate		Pressure Drop		Flow Rate		Pressure Drop	
gpm	L/s	Ft	kPa	gpm	L/s	Ft	kPa
99.0	6.2	10.5	31.4	132.0	8.3	18.3	54.7

REP FIRM _____
SUBMITTED BY _____
JOB NAME _____
ARCHITECT _____
ENGINEER _____
CONTRACTOR _____
DATE _____

TORUS 1250

Category II or Category IV Appliance
 (see Installation and Operation Manual for venting information)



A Division of Mestek, Inc.
 Westfield, MA 01085
 (413) 564-5515

TORUS 1500

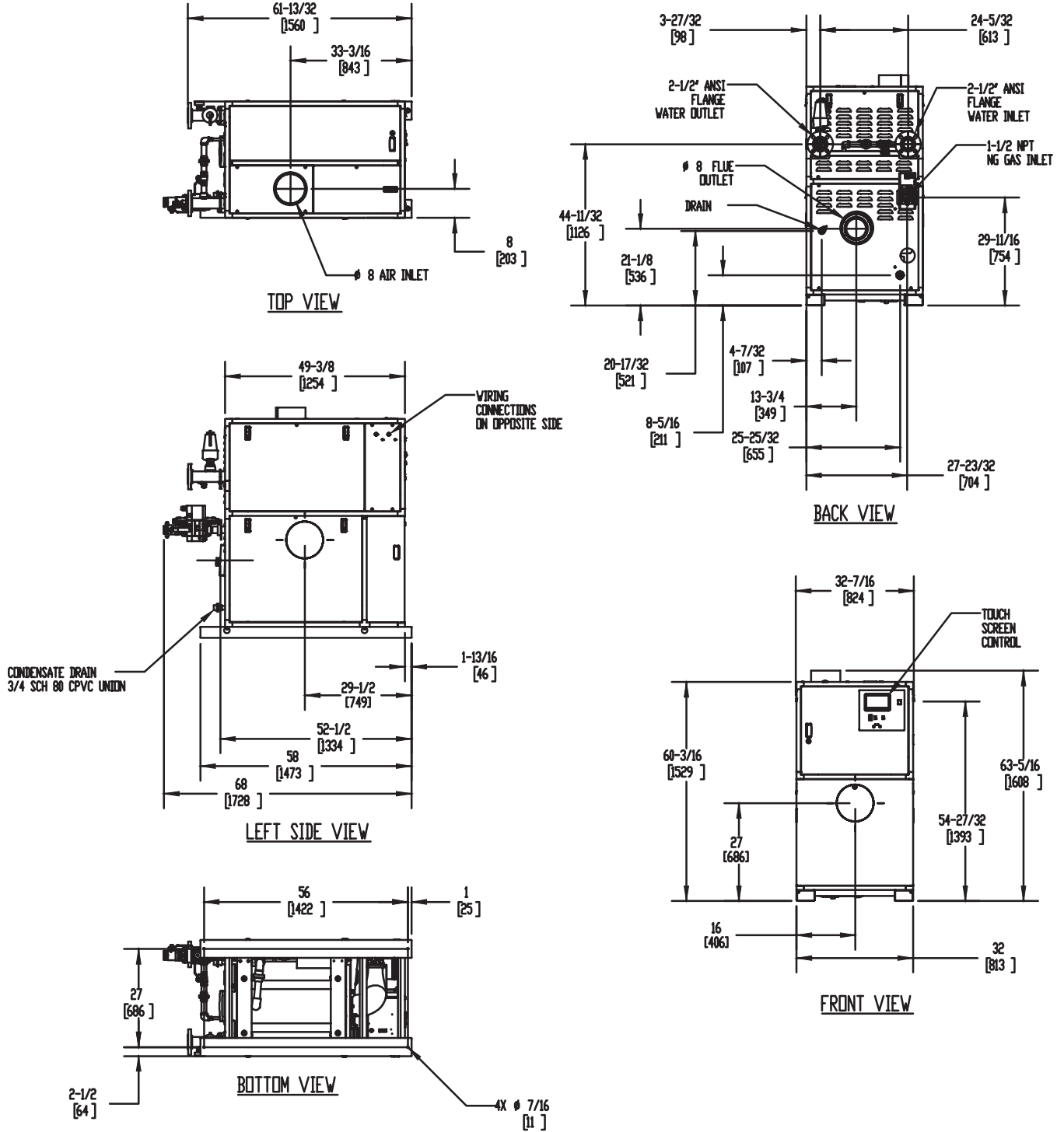
Category II or Category IV Appliance
(see Installation and Operation Manual for venting information)

CODE OPTIONS

CSD-1

FIRMWARE W/REMOTE
TEST MANUAL RESET LWCO

INDOOR UNIT



Notes:

1. Dimensions are approximate and should not be used to "rough-in" equipment.
2. Dimensions are subject to change without notice.
3. All dimensions are in inches (mm).
4. ● Symbol indicates center of gravity.

BOILER CERTIFIED RATINGS & CAPACITIES

Fuel Type	Natural/Propane Gas	Boiler FLA	21.0*
Input BTU/hr.	1,500,000 / 440 kW	Boiler HP	43.25
Output BTU/hr.	1,447,500 / 424 kW	Min. Gas Pressure Required	4" W.C.
Electrical Requirements	120 VAC/60 Hz/1PH	Max. Gas Pressure Allowed	14" W.C.
		Operating Weight	1183 lbs / 537 kg

BOILER TRIM & CONTROLS

Main Gas Valve	Dungs MBC	Air Switch	Huba
Firing Valve	1" Apollo	Flow Switch	SIKA
Ignition Control	Fenwal	Blocked Flue Switch	Cleveland NS2
Operating Control	HeatNet®	Blower Motor	Ametek
High Limit	Jumo	L.W.C.O.	800
Main Ball Valve	1 1/2" Apollo	Relief Valve (WB)	1" x 1-1/4" set @ 50 psi
		Relief Valve (WW)	1" x 1" set @ 125 psi

Pump contactor strongly recommended for water heater applications.

A.S.M.E.

ASME Sect IV Fire Side Htg Surface	119.8 Sq. Ft. / 11.13 Sq. M.	Design Data	Max. 160 psig & 210°F
ASME Sect IV Water Side Htg Surface	111.08 Sq. Ft. / 10.32 Sq. M.	Water Volume	13 gal. / 49.2 Liters
		pH Level	6.5-8.5

* Add circulator amps.

BOILER TEMPERATURE RISE / PRESSURE DROP (Based on Full Input)

20°F / 11.1°C				30°F / 16.7°C				40°F / 22.2°C				50°F / 27.8°C				60°F / 33.3°C			
Flow Rate		Pressure Drop		Flow Rate		Pressure Drop		Flow Rate		Pressure Drop		Flow Rate		Pressure Drop		Flow Rate		Pressure Drop	
GPM	L/s	Ft	kPa	GPM	L/s	Ft	kPa	GPM	L/s	Ft	kPa	GPM	L/s	Ft	kPa	GPM	L/s	Ft	kPa
144.8	9.1	16.4	49.0	96.5	6.1	8.1	24.2	72.4	4.6	5.0	14.9	57.9	3.7	3.5	10.4	48.3	3.0	2.6	7.8

Flow GPM (Boiler)				Temp. Rise (°F) (Boiler**)				Vent Length (Equiv. Ft.)				Air Inlet Length (Equiv. Ft.)			
Min		Max		Min		Max		Min		Max		Min		Max	
48.3		144.8		20		60		8		160		0		160	

** Min/Max delta t reflects boiler operation at full input. For applications requiring operation above/below these parameters please consult factory.

WATER HEATER HOURLY RECOVERY CAPACITY (GPH & LPH)

40°F	22°C	60°F	33°C	80°F	44°C	100°F	56°C	120°F	67°C	140°F	78°C
4367	16506	2911	11004	2183	8253	1747	6603	1456	5502	1248	4716

Water Heater Min Flow Rates

Normal (4 to 12) gpg				Hard (12 to 15) gpg			
Flow Rate		Pressure Drop		Flow Rate		Pressure Drop	
gpm	L/s	Ft	kPa	gpm	L/s	Ft	kPa
110.0	6.9	10.1	30.2	147.0	9.3	16.8	50.2

REP FIRM _____
SUBMITTED BY _____
JOB NAME _____
ARCHITECT _____
ENGINEER _____
CONTRACTOR _____
DATE _____

TORUS 1500

Category II or Category IV Appliance
(see Installation and Operation Manual for venting information)



A Division of Mestek, Inc.
Westfield, MA 01085
(413) 564-5515

TORUS 1500

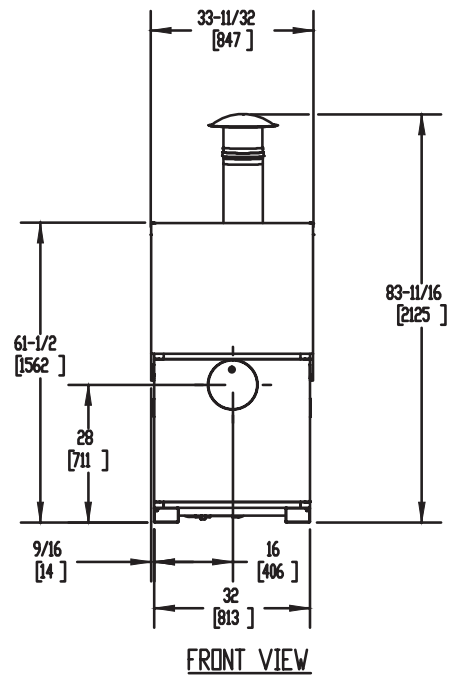
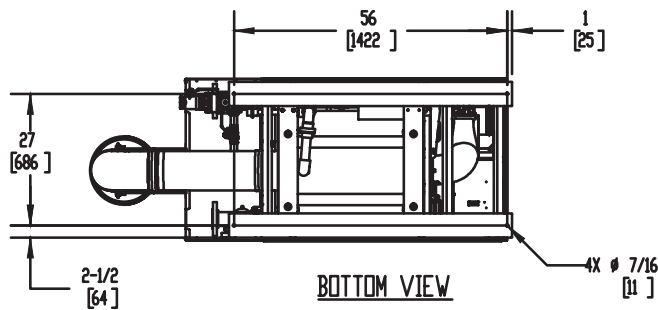
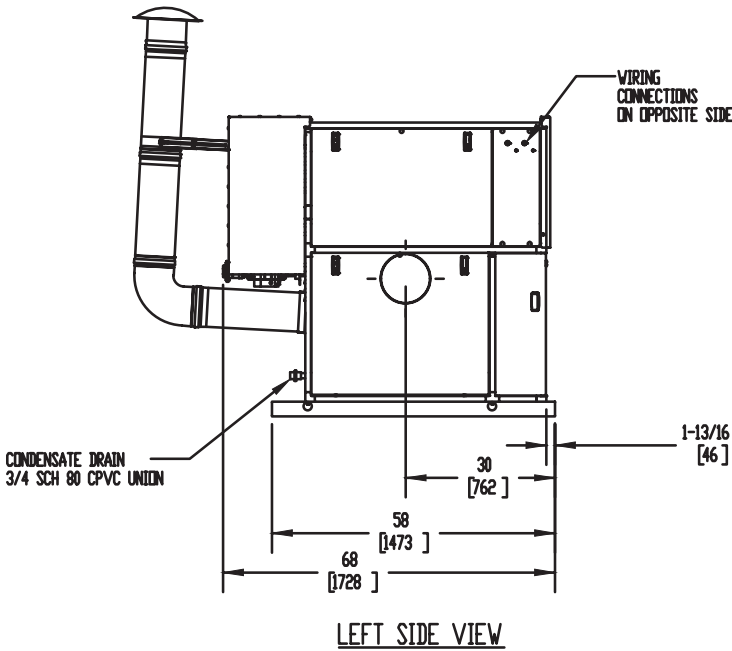
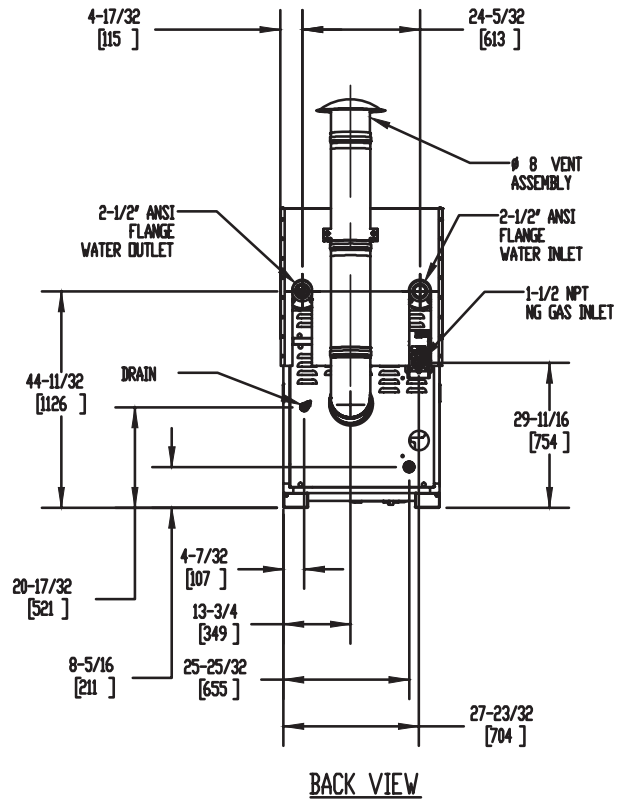
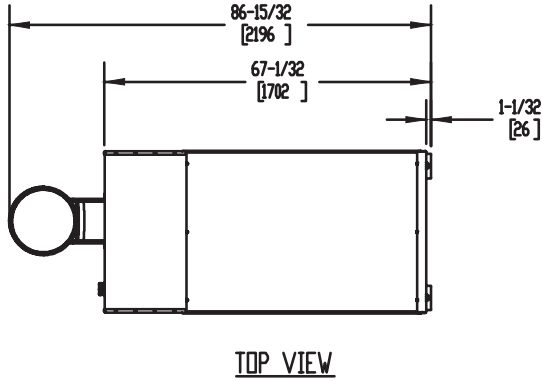
Category II or Category IV Appliance
(see Installation and Operation Manual for venting information)

CODE OPTIONS

CSD-1

FIRMWARE W/REMOTE
TEST MANUAL RESET LWCO

OUTDOOR UNIT



Notes:

1. Dimensions are approximate and should not be used to "rough-in" equipment.
2. Dimensions are subject to change without notice.
3. All dimensions are in inches (mm).
4. Symbol indicates center of gravity.

BOILER CERTIFIED RATINGS & CAPACITIES

Fuel Type	Natural/Propane Gas	Boiler FLA	21.0*
Input BTU/hr.	1,500,000 / 440 kW	Boiler HP	43.25
Output BTU/hr.	1,444,500 / 423 kW	Min. Gas Pressure Required	4" W.C.
Electrical Requirements	120 VAC/60 Hz/1PH	Max. Gas Pressure Allowed	14" W.C.
		Operating Weight	1183 lbs / 537 kg

BOILER TRIM & CONTROLS

Main Gas Valve	Dungs MBC	Air Switch	Huba
Firing Valve	1" Apollo	Flow Switch	SIKA
Ignition Control	Fenwal	Blocked Flue Switch	Cleveland NS2
Operating Control	HeatNet®	Blower Motor	Ametek
High Limit	Jumo	L.W.C.O.	800
Main Ball Valve	1 1/2" Apollo	Relief Valve (WB)	1" x 1-1/4" set @ 50 psi
		Relief Valve (WW)	1" x 1" set @ 125 psi

Pump contactor strongly recommended for water heater applications.

A.S.M.E.

ASME Sect IV Fire Side Htg Surface	119.8 Sq. Ft. / 11.13 Sq. M.	Design Data	Max. 160 psig & 210°F
ASME Sect IV Water Side Htg Surface	111.08 Sq. Ft. / 10.32 Sq. M.	Water Volume	13 gal. / 49.2 Liters
		pH Level	6.5-8.5

* Add circulator amps.

BOILER TEMPERATURE RISE / PRESSURE DROP (Based on Full Input)

20°F / 11.1°C				30°F / 16.7°C				40°F / 22.2°C				50°F / 27.8°C				60°F / 33.3°C			
Flow Rate		Pressure Drop		Flow Rate		Pressure Drop		Flow Rate		Pressure Drop		Flow Rate		Pressure Drop		Flow Rate		Pressure Drop	
GPM	L/s	Ft	kPa	GPM	L/s	Ft	kPa	GPM	L/s	Ft	kPa	GPM	L/s	Ft	kPa	GPM	L/s	Ft	kPa
144.5	9.1	16.3	48.8	96.3	6.1	8.1	24.1	72.3	4.6	5.0	14.9	57.8	3.7	3.5	10.4	48.2	3.0	2.6	7.7
Flow GPM (Boiler)				Temp. Rise (°F) (Boiler**)				Vent Length (Equiv. Ft.)				Air Inlet Length (Equiv. Ft.)							
Min		Max		Min		Max		Min		Max		Min		Max					
48.2		144.5		20		60		8		160		0		160					

** Min/Max delta t reflects boiler operation at full input. For applications requiring operation above/below these parameters please consult factory.

WATER HEATER HOURLY RECOVERY CAPACITY (GPH & LPH)

40°F	22°C	60°F	33°C	80°F	44°C	100°F	56°C	120°F	67°C	140°F	78°C
4367	16506	2911	11004	2183	8253	1747	6603	1456	5502	1248	4716

Water Heater Min Flow Rates

Normal (4 to 12) gpg				Hard (12 to 15) gpg			
Flow Rate		Pressure Drop		Flow Rate		Pressure Drop	
gpm	L/s	Ft	kPa	gpm	L/s	Ft	kPa
110.0	6.9	10.1	30.2	147.0	9.3	16.8	50.2

REP FIRM _____
SUBMITTED BY _____
JOB NAME _____
ARCHITECT _____
ENGINEER _____
CONTRACTOR _____
DATE _____

TORUS 1500

Category II or Category IV Appliance
(see Installation and Operation Manual for venting information)



A Division of Mestek, Inc.
Westfield, MA 01085
(413) 564-5515

TORUS 2000

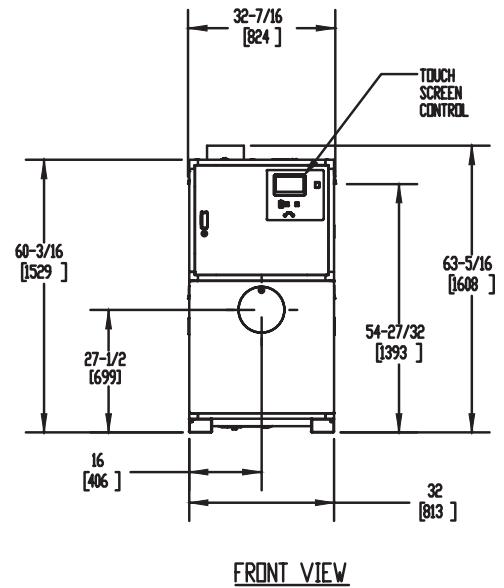
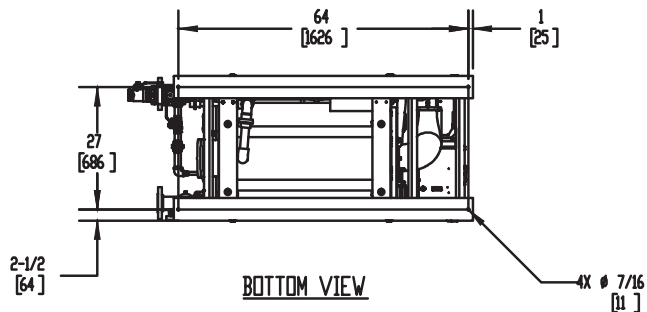
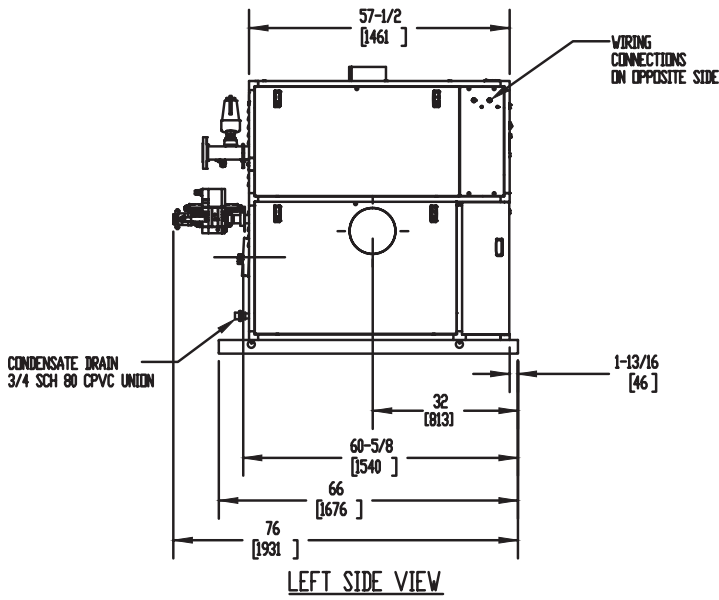
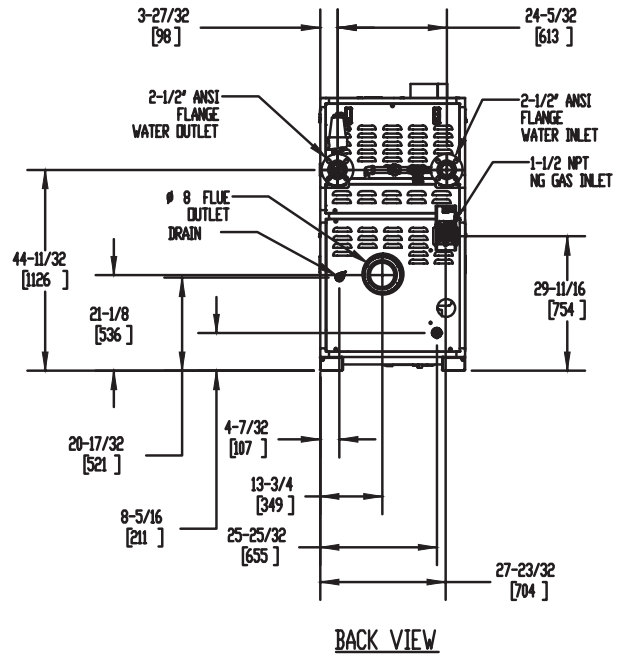
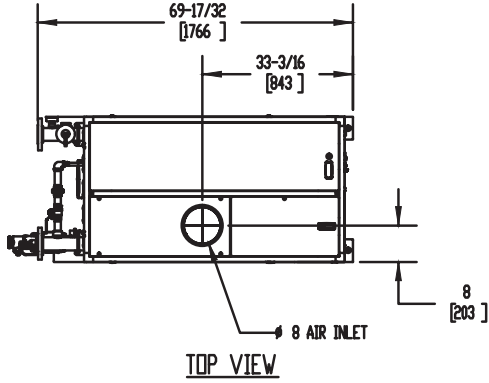
Category II or Category IV Appliance
(see Installation and Operation Manual for venting information)

CODE OPTIONS

CSD-1

FIRMWARE W/REMOTE
TEST MANUAL RESET LWCO

INDOOR UNIT



Notes:

1. Dimensions are approximate and should not be used to "rough-in" equipment.
2. Dimensions are subject to change without notice.
3. All dimensions are in inches (mm).
4. Symbol indicates center of gravity.

BOILER CERTIFIED RATINGS & CAPACITIES

Fuel Type	Natural/Propane Gas	Boiler FLA	25.6
Input BTU/hr.	1,999,999 / 586 kW	Boiler HP	57.66
Output BTU/hr.	1,929,035 / 565 kW	Min. Gas Pressure Required	4" W.C.
Electrical Requirements	230 VAC/60 Hz/1PH	Max. Gas Pressure Allowed	14" W.C.
		Operating Weight	1388 lbs / 630 kg

BOILER TRIM & CONTROLS

Main Gas Valve	Dungs MBC	Air Switch	Huba
Firing Valve	1 1/2" Apollo	Flow Switch	SIKA
Ignition Control	Fenwal	Blocked Flue Switch	Cleveland NS2
Operating Control	HeatNet®	Blower Motor	Ametek
High Limit	Jumo	L.W.C.O.	800
Main Ball Valve	1 1/2" Apollo	Relief Valve (WB)	1" x 1-1/4" set @ 50 psi
		Relief Valve (WW)	1" x 1" set @ 125 psi

Pump contactor strongly recommended for water heater applications.

A.S.M.E.

ASME Sect IV Fire Side	153.19 Sq. Ft. / 14.23 Sq. M.	Design Data	Max. 160 psig & 210°F
Htg Surface		Water Volume	16.9 gal. / 64 Liters
ASME Sect IV Water Side	141.93 Sq. Ft. / 13.19 Sq. M.	pH Level	6.5-8.5
Htg Surface			

* Add circulator amps.

BOILER TEMPERATURE RISE / PRESSURE DROP (Based on Full Input)

20°F / 11.1°C				30°F / 16.7°C				40°F / 22.2°C				50°F / 27.8°C				60°F / 33.3°C			
Flow Rate		Pressure Drop		Flow Rate		Pressure Drop		Flow Rate		Pressure Drop		Flow Rate		Pressure Drop		Flow Rate		Pressure Drop	
GPM	L/s	Ft	kPa	GPM	L/s	Ft	kPa	GPM	L/s	Ft	kPa	GPM	L/s	Ft	kPa	GPM	L/s	Ft	kPa
193.0	12.2	20.1	60.1	128.7	8.1	9.9	29.7	96.5	6.1	6.1	18.2	77.2	4.9	4.2	12.5	64.3	4.1	3.1	9.2

Flow GPM (Boiler)				Temp. Rise (°F) (Boiler**)				Vent Length (Equiv. Ft.)				Air Inlet Length (Equiv. Ft.)			
Min		Max		Min		Max		Min		Max		Min		Max	
64.3		193.0		20		60		8		160		0		160	

** Min/Max delta t reflects boiler operation at full input. For applications requiring operation above/below these parameters please consult factory.

WATER HEATER HOURLY RECOVERY CAPACITY (GPH & LPH)

40°F	22°C	60°F	33°C	80°F	44°C	100°F	56°C	120°F	67°C	140°F	78°C
5819	21997	3880	14665	2910	10999	2328	8799	1940	7332	1663	6285

Water Heater Min Flow Rates

Normal (4 to 12) gpg				Hard (12 to 15) gpg			
Flow Rate		Pressure Drop		Flow Rate		Pressure Drop	
gpm	L/s	Ft	kPa	gpm	L/s	Ft	kPa
138.0	8.7	11.2	33.5	183.0	11.5	18.3	54.7

REP FIRM _____
SUBMITTED BY _____
JOB NAME _____
ARCHITECT _____
ENGINEER _____
CONTRACTOR _____
DATE _____

TORUS 2000

Category II or Category IV Appliance
 (see Installation and Operation Manual for venting information)



A Division of Mestek, Inc.
 Westfield, MA 01085
 (413) 564-5515

TORUS 2000

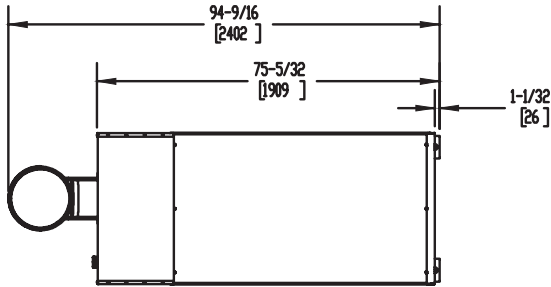
Category II or Category IV Appliance
(see Installation and Operation Manual for venting information)

CODE OPTIONS

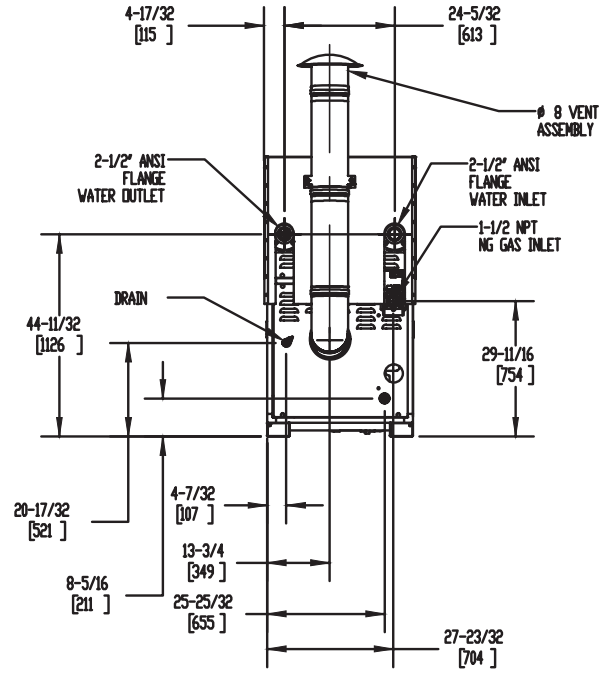
CSD-1

FIRMWARE W/REMOTE
TEST MANUAL RESET LWCO

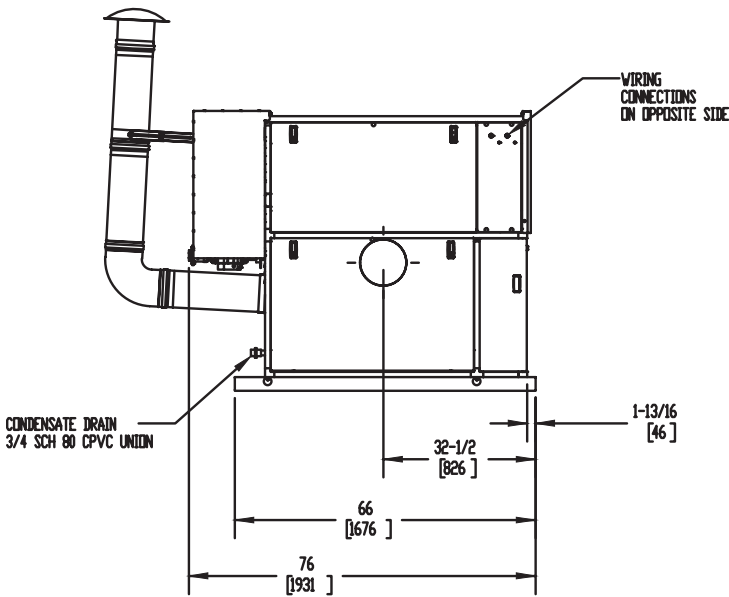
OUTDOOR UNIT



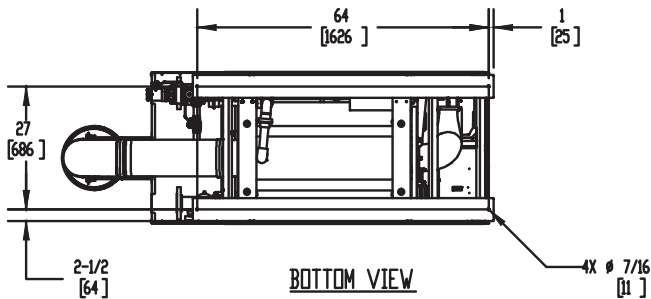
TOP VIEW



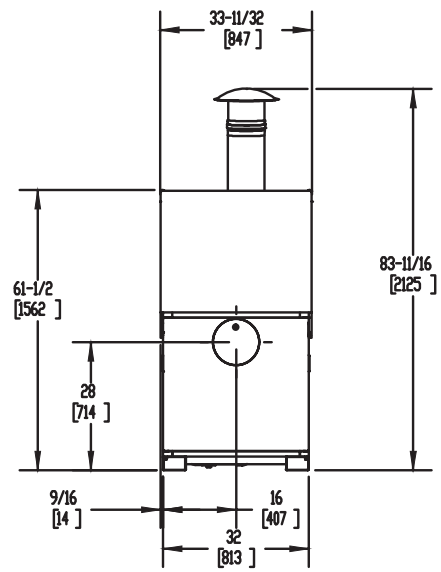
BACK VIEW



LEFT SIDE VIEW




BOTTOM VIEW



FRONT VIEW

Notes:

1. Dimensions are approximate and should not be used to "rough-in" equipment.
2. Dimensions are subject to change without notice.
3. All dimensions are in inches (mm).
4.  Symbol indicates center of gravity.

BOILER CERTIFIED RATINGS & CAPACITIES

Fuel Type	Natural/Propane Gas	Boiler FLA	25.6
Input BTU/hr.	1,999,999 / 586 kW	Boiler HP	57.66
Output BTU/hr.	1,925,037 / 564 kW	Min. Gas Pressure Required	4" W.C.
Electrical Requirements	230 VAC/60 Hz/1PH	Max. Gas Pressure Allowed	14" W.C.
		Operating Weight	1388 lbs / 630 kg

BOILER TRIM & CONTROLS

Main Gas Valve	Dungs MBC	Air Switch	Huba
Firing Valve	1 1/2" Apollo	Flow Switch	SIKA
Ignition Control	Fenwal	Blocked Flue Switch	Cleveland NS2
Operating Control	HeatNet®	Blower Motor	Ametek
High Limit	Jumo	L.W.C.O.	800
Main Ball Valve	1 1/2" Apollo	Relief Valve (WB)	1" x 1-1/4" set @ 50 psi
		Relief Valve (WW)	1" x 1" set @ 125 psi

Pump contactor strongly recommended for water heater applications.

A.S.M.E.

ASME Sect IV Fire Side	153.19 Sq. Ft. / 14.23 Sq. M.	Design Data	Max. 160 psig & 210°F
Htg Surface		Water Volume	16.9 gal. / 64 Liters
ASME Sect IV Water Side	141.93 Sq. Ft. / 13.19 Sq. M.	pH Level	6.5-8.5
Htg Surface			

* Add circulator amps.

BOILER TEMPERATURE RISE / PRESSURE DROP (Based on Full Input)

20°F / 11.1°C				30°F / 16.7°C				40°F / 22.2°C				50°F / 27.8°C				60°F / 33.3°C			
Flow Rate		Pressure Drop		Flow Rate		Pressure Drop		Flow Rate		Pressure Drop		Flow Rate		Pressure Drop		Flow Rate		Pressure Drop	
GPM	L/s	Ft	kPa	GPM	L/s	Ft	kPa	GPM	L/s	Ft	kPa	GPM	L/s	Ft	kPa	GPM	L/s	Ft	kPa
192.6	12.1	20.0	59.8	128.4	8.1	9.9	29.6	96.3	6.1	6.1	18.1	77.0	4.9	4.2	12.5	64.2	4.0	3.1	9.2

Flow GPM (Boiler)		Temp. Rise (°F) (Boiler**)				Vent Length (Equiv. Ft.)		Air Inlet Length (Equiv. Ft.)	
Min	Max	Min	Max	Min	Max	Min	Max	Min	Max
64.2	192.6	20	60	8	160	0	160		

** Min/Max delta t reflects boiler operation at full input. For applications requiring operation above/below these parameters please consult factory.

WATER HEATER HOURLY RECOVERY CAPACITY (GPH & LPH)

40°F	22°C	60°F	33°C	80°F	44°C	100°F	56°C	120°F	67°C	140°F	78°C
5819	21997	3880	14665	2910	10999	2328	8799	1940	7332	1663	6285

Water Heater Min Flow Rates

Normal (4 to 12) gpg				Hard (12 to 15) gpg			
Flow Rate		Pressure Drop		Flow Rate		Pressure Drop	
gpm	L/s	Ft	kPa	gpm	L/s	Ft	kPa
138.0	8.7	11.2	33.5	183.0	11.5	18.3	54.7

REP FIRM _____
SUBMITTED BY _____
JOB NAME _____
ARCHITECT _____
ENGINEER _____
CONTRACTOR _____
DATE _____

TORUS 2000

Category II or Category IV Appliance
(see Installation and Operation Manual for venting information)



A Division of Mestek, Inc.
Westfield, MA 01085
(413) 564-5515

TORUS 2500

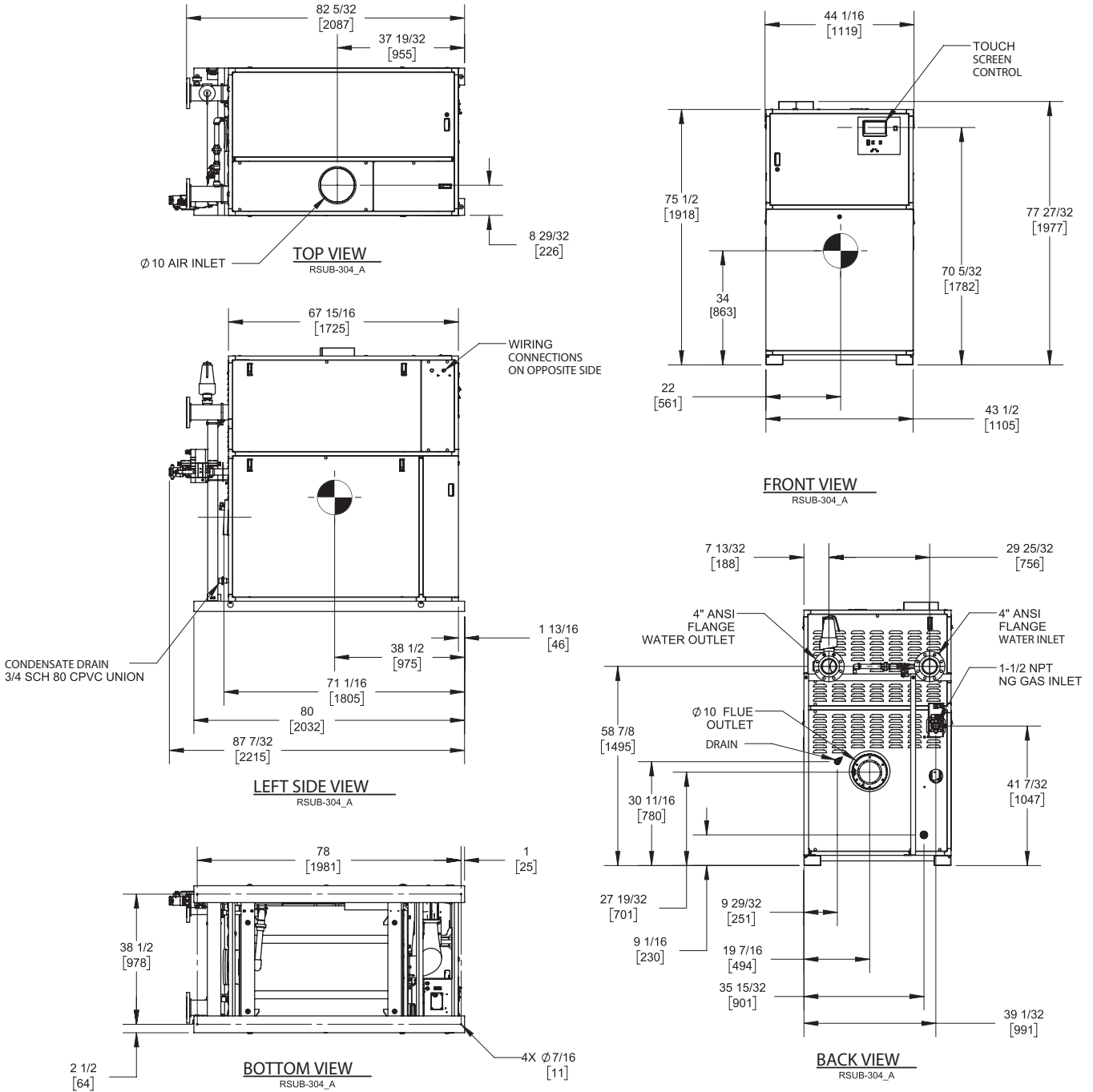
Category II or Category IV Appliance
(see Installation and Operation Manual for venting information)

CODE OPTIONS

CSD-1

FIRMWARE W/REMOTE
TEST MANUAL RESET LWCO

INDOOR UNIT



Notes:

1. Dimensions are approximate and should not be used to "rough-in" equipment.
2. Dimensions are subject to change without notice.
3. All dimensions are in inches (mm).
4. ● Symbol indicates center of gravity.

BOILER CERTIFIED RATINGS & CAPACITIES

Fuel Type	Natural/Propane Gas	Boiler FLA	15.05*
Input BTU/hr.	2,500,000 / 733 kW	Boiler HP	72.45
Output BTU/hr.	2,435,000 / 713 kW	Min. Gas Pressure Required	4" W.C.
Electrical Requirements	230 VAC/60 Hz/3PH	Max. Gas Pressure Allowed	14" W.C.
		Operating Weight	2311 lbs / 1048 kg

BOILER TRIM & CONTROLS

Main Gas Valve	Dungs MBC	Air Switch	Huba
Firing Valve	1 1/2" Apollo	Flow Switch	SIKA
Ignition Control	Fenwal	Blocked Flue Switch	Cleveland NS2
Operating Control	HeatNet®	Blower Motor	Ametek
High Limit	Jumo	L.W.C.O.	800
Main Ball Valve	1 1/2" Apollo	Relief Valve (WB)	1" x 1 1/2" set @ 50 psi
Pump contactor strongly recommended for water heater applications.		Relief Valve (WW)	1 1/2" x 1 1/2" set @ 125 psi

A.S.M.E.

ASME Sect IV Fire Side	300.69 Sq. Ft. / 27.94 Sq. M.	Design Data	Max. 160 psig & 210°F
Htg Surface		Water Volume	24.9 gal. / 94.3 Liters
ASME Sect IV Water Side	277.23 Sq. Ft. / 25.76 Sq. M.	pH Level	6.5-8.5
Htg Surface			

* Add circulator amps.

BOILER TEMPERATURE RISE / PRESSURE DROP (Based on Full Input)

20°F / 11.1°C				30°F / 16.7°C				40°F / 22.2°C				50°F / 27.8°C				60°F / 33.3°C			
Flow Rate		Pressure Drop		Flow Rate		Pressure Drop		Flow Rate		Pressure Drop		Flow Rate		Pressure Drop		Flow Rate		Pressure Drop	
GPM	L/s	Ft	kPa	GPM	L/s	Ft	kPa	GPM	L/s	Ft	kPa	GPM	L/s	Ft	kPa	GPM	L/s	Ft	kPa
243.8	15.4	16.2	48.3	162.6	10.3	9.2	27.4	121.9	7.7	6.2	18.4	97.5	6.2	4.5	13.5	81.3	5.1	3.5	10.4

Flow GPM (Boiler)				Temp. Rise (°F) (Boiler**)				Vent Length (Equiv. Ft.)				Air Inlet Length (Equiv. Ft.)			
Min		Max		Min		Max		Min		Max		Min		Max	
81.3		243.8		20		60		10		160		0		160	

** Min/Max delta t reflects boiler operation at full input. For applications requiring operation above/below these parameters please consult factory.

WATER HEATER HOURLY RECOVERY CAPACITY (GPH & LPH)

40°F	22°C	60°F	33°C	80°F	44°C	100°F	56°C	120°F	67°C	140°F	78°C
7278	27511	4852	18340	3639	13755	2911	11004	2426	9170	2079	7860

Water Heater Min Flow Rates

Normal (4 to 12) gpg				Hard (12 to 15) gpg			
Flow Rate		Pressure Drop		Flow Rate		Pressure Drop	
gpm	L/s	Ft	kPa	gpm	L/s	Ft	kPa
214.0	13.5	13.4	40.1	285.0	18.0	20.2	60.4

REP FIRM _____
SUBMITTED BY _____
JOB NAME _____
ARCHITECT _____
ENGINEER _____
CONTRACTOR _____
DATE _____

TORUS 2500

Category II or Category IV Appliance
 (see Installation and Operation Manual for venting information)



A Division of Mestek, Inc.
 Westfield, MA 01085
 (413) 564-5515

TORUS 2500

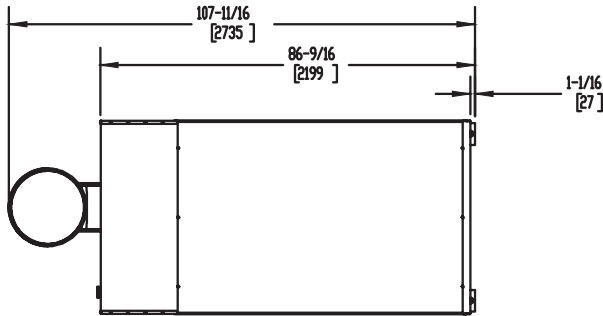
Category II or Category IV Appliance
(see Installation and Operation Manual for venting information)

CODE OPTIONS

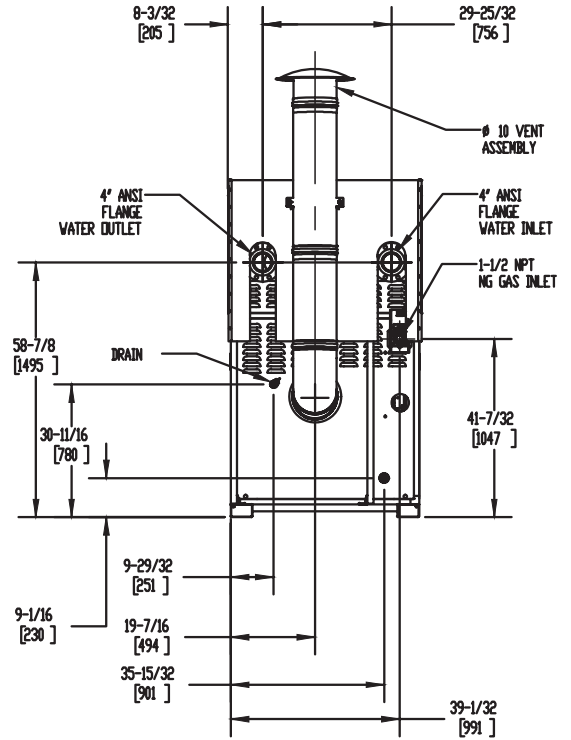
CSD-1

FIRMWARE W/REMOTE
TEST MANUAL RESET LWCO

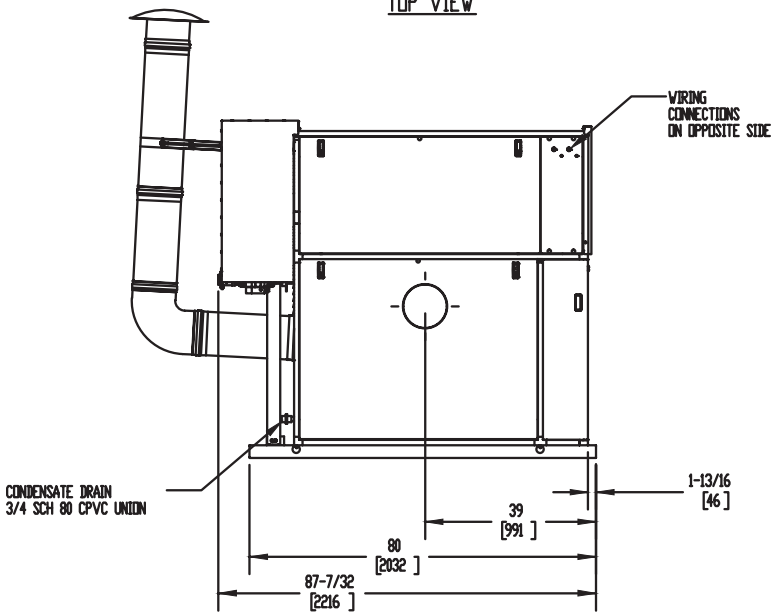
OUTDOOR UNIT



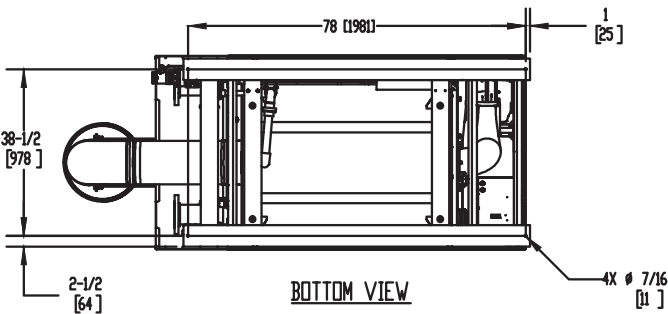
TOP VIEW



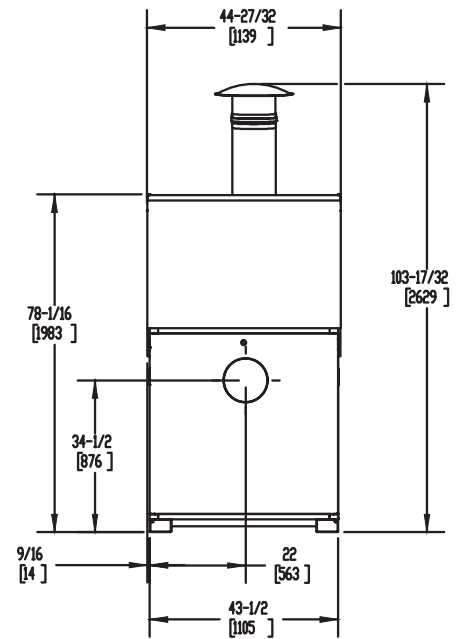
BACK VIEW



LEFT SIDE VIEW



BOTTOM VIEW



FRONT VIEW

Notes:

1. Dimensions are approximate and should not be used to "rough-in" equipment.
2. Dimensions are subject to change without notice.
3. All dimensions are in inches (mm).
4. Symbol indicates center of gravity.

BOILER CERTIFIED RATINGS & CAPACITIES

Fuel Type	Natural/Propane Gas	Boiler FLA	15.05*
Input BTU/hr.	2,500,000 / 733 kW	Boiler HP	72.45
Output BTU/hr.	2,430,000 / 712 kW	Min. Gas Pressure Required	4" W.C.
Electrical Requirements	230 VAC/60 Hz/3PH	Max. Gas Pressure Allowed	14" W.C.
		Operating Weight	2311 lbs / 1048 kg

BOILER TRIM & CONTROLS

Main Gas Valve	Dungs MBC	Air Switch	Huba
Firing Valve	1 1/2" Apollo	Flow Switch	SIKA
Ignition Control	Fenwal	Blocked Flue Switch	Cleveland NS2
Operating Control	HeatNet®	Blower Motor	Ametek
High Limit	Jumo	L.W.C.O.	800
Main Ball Valve	1 1/2" Apollo	Relief Valve (WB)	1" x 1 1/2" set @ 50 psi
Pump contactor strongly recommended for water heater applications.		Relief Valve (WW)	1 1/2" x 1 1/2" set @ 125 psi

A.S.M.E.

ASME Sect IV Fire Side	300.69 Sq. Ft. / 27.94 Sq. M.	Design Data	Max. 160 psig & 210°F
Htg Surface		Water Volume	24.9 gal. / 94.3 Liters
ASME Sect IV Water Side	277.23 Sq. Ft. / 25.76 Sq. M.	pH Level	6.5-8.5
Htg Surface			

* Add circulator amps.

BOILER TEMPERATURE RISE / PRESSURE DROP (Based on Full Input)

20°F / 11.1°C				30°F / 16.7°C				40°F / 22.2°C				50°F / 27.8°C				60°F / 33.3°C			
Flow Rate		Pressure Drop		Flow Rate		Pressure Drop		Flow Rate		Pressure Drop		Flow Rate		Pressure Drop		Flow Rate		Pressure Drop	
GPM	L/s	Ft	kPa	GPM	L/s	Ft	kPa	GPM	L/s	Ft	kPa	GPM	L/s	Ft	kPa	GPM	L/s	Ft	kPa
243.1	15.3	16.1	48.1	162.2	10.2	9.1	27.3	121.5	7.7	6.1	18.4	97.2	6.1	4.5	13.50	81.0	5.1	3.5	10.4
Flow GPM (Boiler)				Temp. Rise (°F) (Boiler**)				Vent Length (Equiv. Ft.)				Air Inlet Length (Equiv. Ft.)							
Min		Max		Min		Max		Min		Max		Min		Max					
81.0		243.1		20		60		10		160		0		160					

** Min/Max delta t reflects boiler operation at full input. For applications requiring operation above/below these parameters please consult factory.

WATER HEATER HOURLY RECOVERY CAPACITY (GPH & LPH)

40°F	22°C	60°F	33°C	80°F	44°C	100°F	56°C	120°F	67°C	140°F	78°C
7278	27511	4852	18340	3639	13755	2911	11004	2426	9170	2079	7860

Water Heater Min Flow Rates

Normal (4 to 12) gpg				Hard (12 to 15) gpg			
Flow Rate		Pressure Drop		Flow Rate		Pressure Drop	
gpm	L/s	Ft	kPa	gpm	L/s	Ft	kPa
214.0	13.5	13.4	40.1	285.0	18.0	20.2	60.4

REP FIRM _____
SUBMITTED BY _____
JOB NAME _____
ARCHITECT _____
ENGINEER _____
CONTRACTOR _____
DATE _____

TORUS 2500

Category II or Category IV Appliance
(see Installation and Operation Manual for venting information)



A Division of Mestek, Inc.
Westfield, MA 01085
(413) 564-5515

TORUS 3000

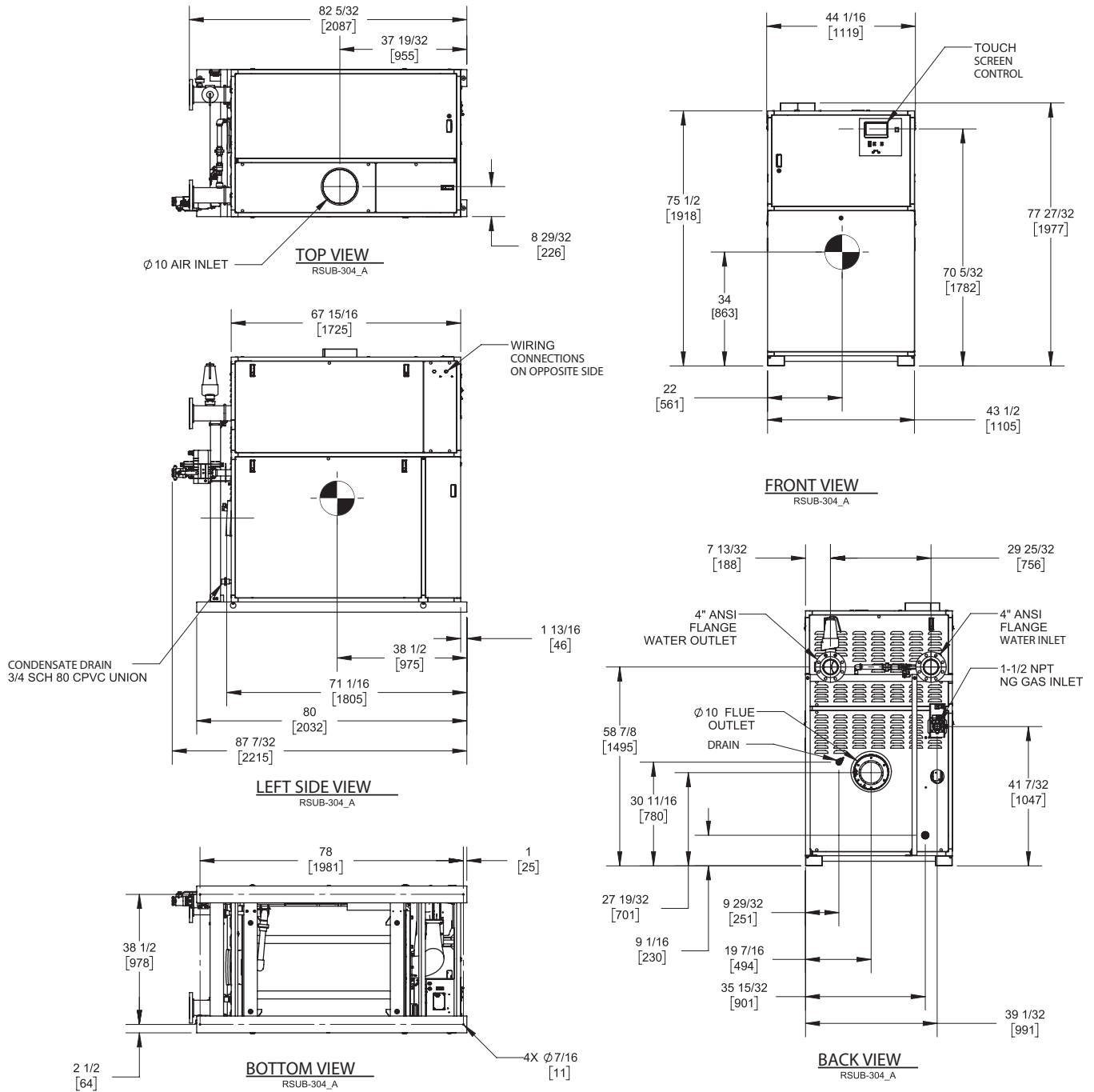
Category II or Category IV Appliance
(see Installation and Operation Manual for venting information)

CODE OPTIONS

CSD-1

FIRMWARE W/REMOTE
TEST MANUAL RESET LWCO

INDOOR UNIT



Notes:

1. Dimensions are approximate and should not be used to "rough-in" equipment.
2. Dimensions are subject to change without notice.
3. All dimensions are in inches (mm).
4. ● Symbol indicates center of gravity.

BOILER CERTIFIED RATINGS & CAPACITIES

Fuel Type	Natural/Propane Gas	Boiler FLA	15.05*
Input BTU/hr.	3,000,000 / 879 kW	Boiler HP	87.39
Output BTU/hr.	2,925,000 / 857 kW	Min. Gas Pressure Required	4" W.C.
Electrical Requirements	230 VAC/60 Hz/3PH	Max. Gas Pressure Allowed	14" W.C.
		Operating Weight	2311 lbs / 1048 kg

BOILER TRIM & CONTROLS

Main Gas Valve	Dungs MBC	Air Switch	Huba
Firing Valve	1 1/2" Apollo	Flow Switch	SIKA
Ignition Control	Fenwal	Blocked Flue Switch	Cleveland NS2
Operating Control	HeatNet®	Blower Motor	Ametek
High Limit	Jumo	L.W.C.O.	800
Main Ball Valve	1 1/2" Apollo	Relief Valve (WB)	1" x 1 1/2" set @ 50 psi
Pump contactor strongly recommended for water heater applications.		Relief Valve (WW)	1 1/2" x 1 1/2" set @ 125 psi

A.S.M.E.

ASME Sect IV Fire Side	300.69 Sq. Ft. / 27.94 Sq. M.	Design Data	Max. 160 psig & 210°F
Htg Surface		Water Volume	24.9 gal. / 94.3 Liters
ASME Sect IV Water Side	277.23 Sq. Ft. / 25.76 Sq. M.	pH Level	6.5-8.5
Htg Surface			

* Add circulator amps.

BOILER TEMPERATURE RISE / PRESSURE DROP (Based on Full Input)

20°F / 11.1°C				30°F / 16.7°C				40°F / 22.2°C				50°F / 27.8°C				60°F / 33.3°C			
Flow Rate		Pressure Drop		Flow Rate		Pressure Drop		Flow Rate		Pressure Drop		Flow Rate		Pressure Drop		Flow Rate		Pressure Drop	
GPM	L/s	Ft	kPa	GPM	L/s	Ft	kPa	GPM	L/s	Ft	kPa	GPM	L/s	Ft	kPa	GPM	L/s	Ft	kPa
292.6	18.5	21.0	62.7	195.1	12.3	11.8	35.3	146.3	9.2	7.9	23.7	117.0	7.4	5.8	17.4	97.5	6.2	4.5	13.5
Flow GPM (Boiler)				Temp. Rise (°F) (Boiler**)				Vent Length (Equiv. Ft.)				Air Inlet Length (Equiv. Ft.)							
Min		Max		Min		Max		Min		Max		Min		Max					
97.5		292.6		20		60		10		160		0		160					

** Min/Max delta t reflects boiler operation at full input. For applications requiring operation above/below these parameters please consult factory.

WATER HEATER HOURLY RECOVERY CAPACITY (GPH & LPH)

40°F	22°C	60°F	33°C	80°F	44°C	100°F	56°C	120°F	67°C	140°F	78°C
8824	33353	5882	22235	4412	16676	3529	13341	2941	11118	2521	9529

Water Heater Min Flow Rates

Normal (4 to 12) gpg				Hard (12 to 15) gpg			
Flow Rate		Pressure Drop		Flow Rate		Pressure Drop	
gpm	L/s	Ft	kPa	gpm	L/s	Ft	kPa
214.0	13.5	13.4	40.1	285.0	18.0	20.2	60.4

REP FIRM _____
SUBMITTED BY _____
JOB NAME _____
ARCHITECT _____
ENGINEER _____
CONTRACTOR _____
DATE _____

TORUS 3000

Category II or Category IV Appliance
(see Installation and Operation Manual for venting information)



A Division of Mestek, Inc.
Westfield, MA 01085
(413) 564-5515

TORUS 3000

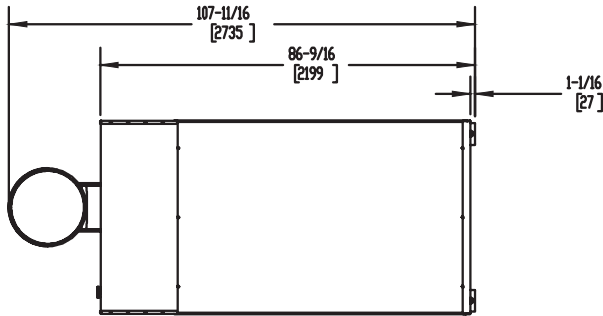
Category II or Category IV Appliance
(see Installation and Operation Manual for venting information)

CODE OPTIONS

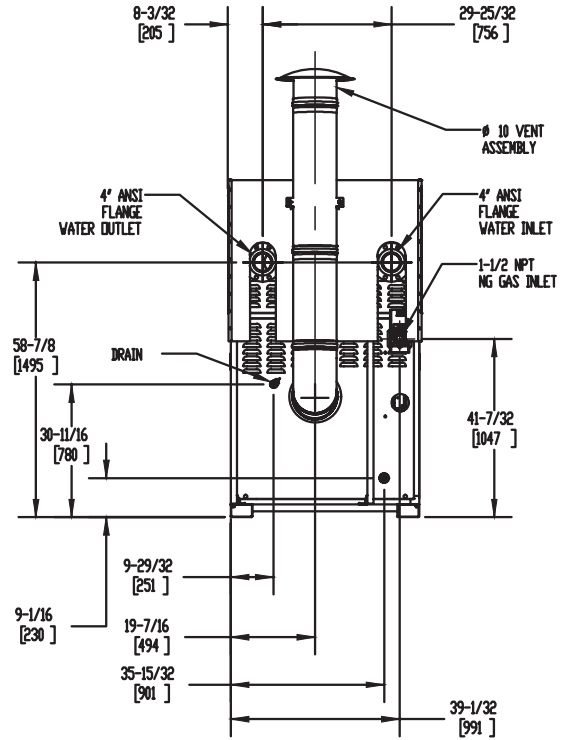
CSD-1

FIRMWARE W/REMOTE
TEST MANUAL RESET LWCO

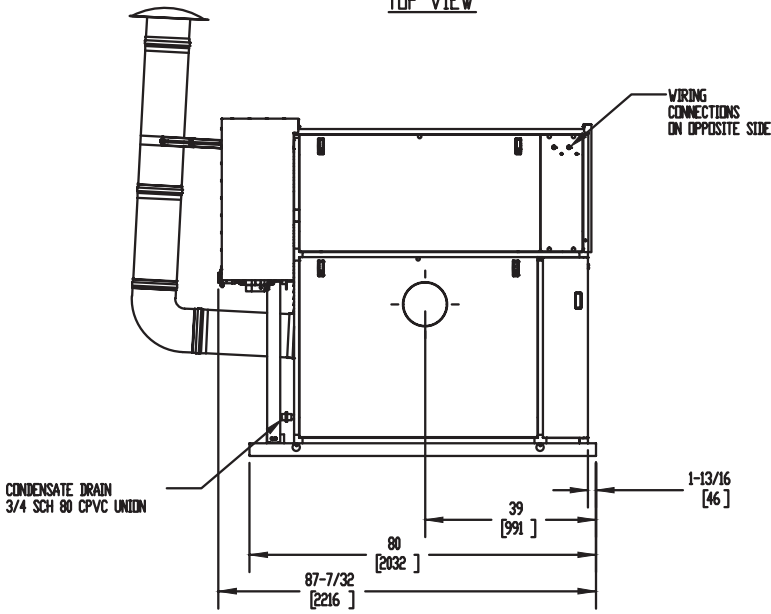
OUTDOOR UNIT



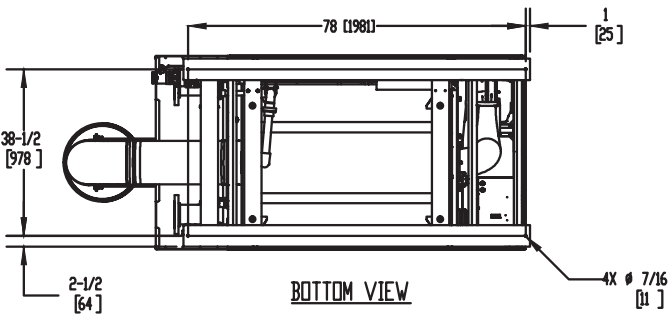
TOP VIEW



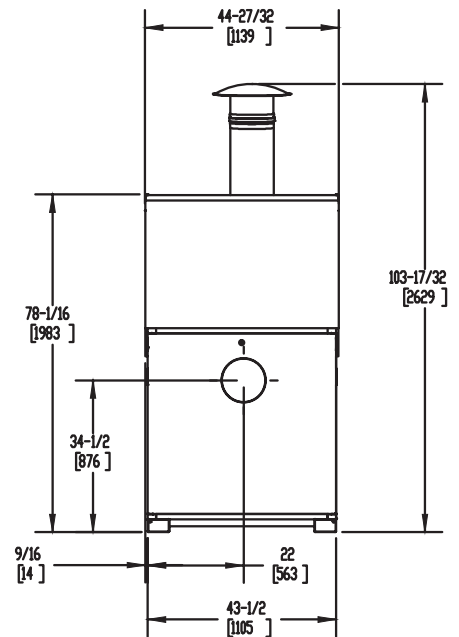
BACK VIEW



LEFT SIDE VIEW



BOTTOM VIEW



FRONT VIEW

Notes:

1. Dimensions are approximate and should not be used to "rough-in" equipment.
2. Dimensions are subject to change without notice.
3. All dimensions are in inches (mm).
4. Symbol indicates center of gravity.

BOILER CERTIFIED RATINGS & CAPACITIES

Fuel Type	Natural/Propane Gas	Boiler FLA	15.05*
Input BTU/hr.	3,000,000 / 879 kW	Boiler HP	87.39
Output BTU/hr.	2,919,000 / 856 kW	Min. Gas Pressure Required	4" W.C.
Electrical Requirements	230 VAC/60 Hz/3PH	Max. Gas Pressure Allowed	14" W.C.
		Operating Weight	2311 lbs / 1048 kg

BOILER TRIM & CONTROLS

Main Gas Valve	Dungs MBC	Air Switch	Huba
Firing Valve	1 1/2" Apollo	Flow Switch	SIKA
Ignition Control	Fenwal	Blocked Flue Switch	Cleveland NS2
Operating Control	HeatNet®	Blower Motor	Ametek
High Limit	Jumo	L.W.C.O.	800
Main Ball Valve	1 1/2" Apollo	Relief Valve (WB)	1" x 1 1/2" set @ 50 psi
Pump contactor strongly recommended for water heater applications.		Relief Valve (WW)	1 1/2" x 1 1/2" set @ 125 psi

A.S.M.E.

ASME Sect IV Fire Side Htg Surface	300.69 Sq. Ft. / 27.94 Sq. M.	Design Data	Max. 160 psig & 210°F
ASME Sect IV Water Side Htg Surface	277.23 Sq. Ft. / 25.76 Sq. M.	Water Volume	24.9 gal. / 94.3 Liters
		pH Level	6.5-8.5

* Add circulator amps.

BOILER TEMPERATURE RISE / PRESSURE DROP (Based on Full Input)

20°F / 11.1°C				30°F / 16.7°C				40°F / 22.2°C				50°F / 27.8°C				60°F / 33.3°C			
Flow Rate		Pressure Drop		Flow Rate		Pressure Drop		Flow Rate		Pressure Drop		Flow Rate		Pressure Drop		Flow Rate		Pressure Drop	
GPM	L/s	Ft	kPa	GPM	L/s	Ft	kPa	GPM	L/s	Ft	kPa	GPM	L/s	Ft	kPa	GPM	L/s	Ft	kPa
292.0	18.4	20.9	62.6	194.7	12.3	11.8	35.2	146	9.2	7.9	23.6	116.8	7.4	5.8	17.4	97.3	6.1	4.5	13.5
Flow GPM (Boiler)				Temp. Rise (°F) (Boiler**)				Vent Length (Equiv. Ft.)				Air Inlet Length (Equiv. Ft.)							
Min		Max		Min		Max		Min		Max		Min		Max		Min		Max	
97.3		292.0		20		60		10		160		0		160					

** Min/Max delta t reflects boiler operation at full input. For applications requiring operation above/below these parameters please consult factory.

WATER HEATER HOURLY RECOVERY CAPACITY (GPH & LPH)

40°F	22°C	60°F	33°C	80°F	44°C	100°F	56°C	120°F	67°C	140°F	78°C
8824	33353	5882	22235	4412	16676	3529	13341	2941	11118	2521	9529

Water Heater Min Flow Rates

Normal (4 to 12) gpg				Hard (12 to 15) gpg			
Flow Rate		Pressure Drop		Flow Rate		Pressure Drop	
gpm	L/s	Ft	kPa	gpm	L/s	Ft	kPa
214.0	13.5	13.4	40.1	285.0	18.0	20.2	60.4

REP FIRM _____
SUBMITTED BY _____
JOB NAME _____
ARCHITECT _____
ENGINEER _____
CONTRACTOR _____
DATE _____

TORUS 3000

Category II or Category IV Appliance
 (see Installation and Operation Manual for venting information)



A Division of Mestek, Inc.
 Westfield, MA 01085
 (413) 564-5515

TORUS 4000

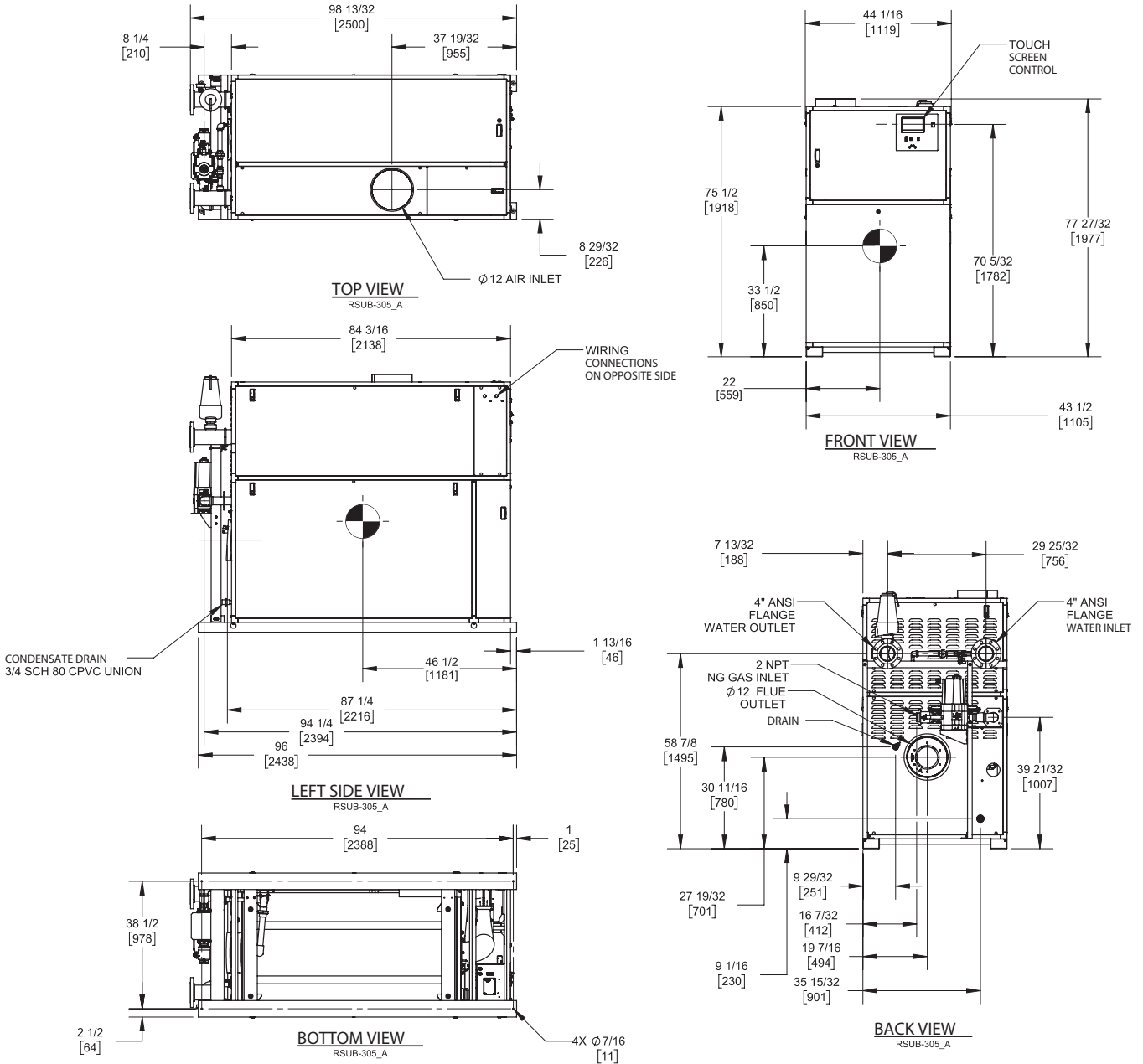
Category II or Category IV Appliance
(see Installation and Operation Manual for venting information)

CODE OPTIONS

CSD-1

FIRMWARE W/REMOTE
TEST MANUAL RESET LWCO

INDOOR UNIT



Notes:

1. Dimensions are approximate and should not be used to "rough-in" equipment.
2. Dimensions are subject to change without notice.
3. All dimensions are in inches (mm).
4. Symbol indicates center of gravity.

BOILER CERTIFIED RATINGS & CAPACITIES

Fuel Type	Natural/Propane Gas	Boiler FLA	19.9*
Input BTU/hr.	4,000,000 / 1172kW	Boiler HP	116.52
Output BTU/hr.	3,900,000 / 1143 kW	Min. Gas Pressure Required	4" W.C.
Electrical Requirements	230 VAC/60 Hz/3PH	Max. Gas Pressure Allowed	14" W.C.
		Operating Weight	2866 lbs / 1300 kg

BOILER TRIM & CONTROLS

Main Gas Valve	Dungs MBC	Air Switch	Huba
Firing Valve	2" Apollo	Flow Switch	SIKA
Ignition Control	Fenwal	Blocked Flue Switch	Cleveland NS2
Operating Control	HeatNet®	Blower Motor	Ametek
High Limit	Jumo	L.W.C.O.	800
Main Ball Valve	2" Apollo	Relief Valve (WB)	1" x 1 1/2" set @ 50 psi
		Relief Valve (WW)	1 1/2" x 1 1/2" set @ 125 psi

Pump contactor strongly recommended for water heater applications.

A.S.M.E.

ASME Sect IV Fire Side	402.93 Sq. Ft. / 37.43 Sq. M.	Design Data	Max. 160 psig & 210°F
Htg Surface		Water Volume	41.3 gal. / 156.3 Liters
ASME Sect IV Water Side	371.25 Sq. Ft. / 34.49 Sq. M.	pH Level	6.5-8.5
Htg Surface			

* Add circulator amps.

BOILER TEMPERATURE RISE / PRESSURE DROP (Based on Full Input)

20°F / 11.1°C				30°F / 16.7°C				40°F / 22.2°C				50°F / 27.8°C				60°F / 33.3°C			
Flow Rate		Pressure Drop		Flow Rate		Pressure Drop		Flow Rate		Pressure Drop		Flow Rate		Pressure Drop		Flow Rate		Pressure Drop	
GPM	L/s	Ft	kPa	GPM	L/s	Ft	kPa	GPM	L/s	Ft	kPa	GPM	L/s	Ft	kPa	GPM	L/s	Ft	kPa
390.2	24.6	19.9	59.6	260.1	16.4	10.1	30.2	195.1	12.3	6.5	19.3	156.1	9.8	4.7	14.0	130.1	8.2	3.7	10.9

Flow GPM (Boiler)				Temp. Rise (°F) (Boiler**)				Vent Length (Equiv. Ft.)				Air Inlet Length (Equiv. Ft.)			
Min		Max		Min		Max		Min		Max		Min		Max	
130.1		390.2		20		60		12		160		0		160	

** Min/Max delta t reflects boiler operation at full input. For applications requiring operation above/below these parameters please consult factory.

WATER HEATER HOURLY RECOVERY CAPACITY (GPH & LPH)

40°F	22°C	60°F	33°C	80°F	44°C	100°F	56°C	120°F	67°C	140°F	78°C
11765	44471	7843	29647	5882	22235	4706	17788	3922	14824	3361	12706

Water Heater Min Flow Rates

Normal (4 to 12) gpg				Hard (12 to 15) gpg			
Flow Rate		Pressure Drop		Flow Rate		Pressure Drop	
gpm	L/s	Ft	kPa	gpm	L/s	Ft	kPa
280.0	6.2	11.4	34.1	372.0	8.3	18.4	55.0

REP FIRM _____
SUBMITTED BY _____
JOB NAME _____
ARCHITECT _____
ENGINEER _____
CONTRACTOR _____
DATE _____

TORUS 4000

Category II or Category IV Appliance
(see Installation and Operation Manual for venting information)



A Division of Mestek, Inc.
Westfield, MA 01085
(413) 564-5515

TORUS 4000

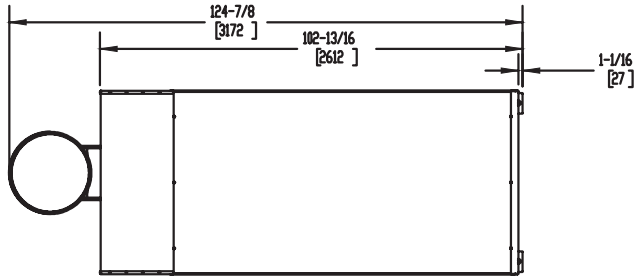
Category II or Category IV Appliance
(see Installation and Operation Manual for venting information)

CODE OPTIONS

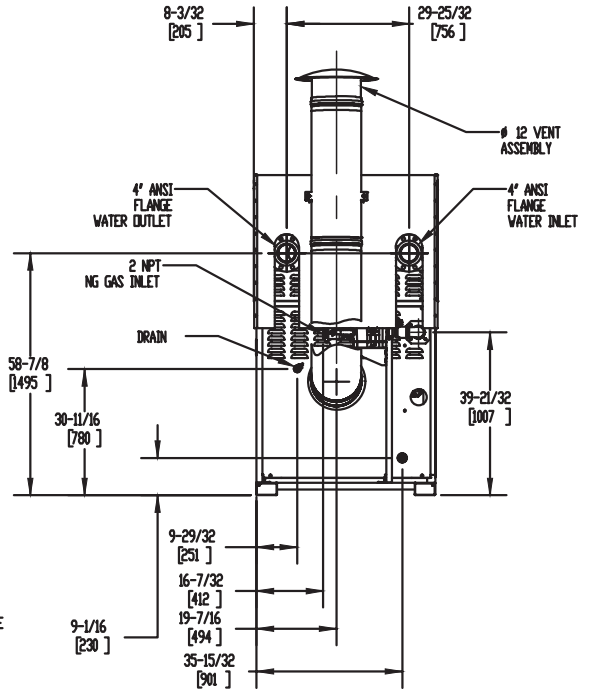
CSD-1

FIRMWARE W/REMOTE
TEST MANUAL RESET LWCO

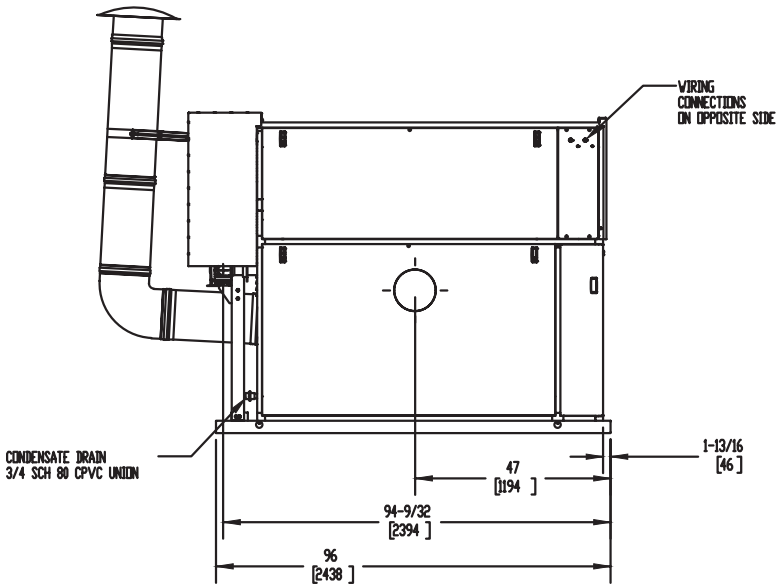
OUTDOOR UNIT



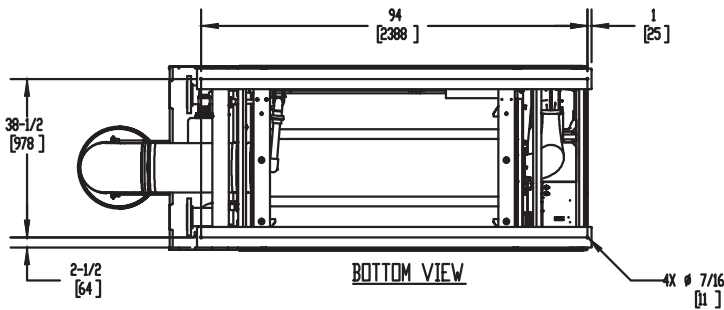
TOP VIEW



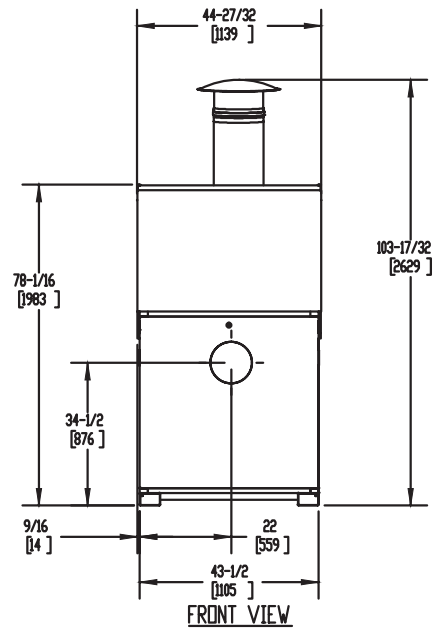
BACK VIEW



LEFT SIDE VIEW



BOTTOM VIEW



FRONT VIEW

Notes:

1. Dimensions are approximate and should not be used to "rough-in" equipment.
2. Dimensions are subject to change without notice.
3. All dimensions are in inches (mm).
4. Symbol indicates center of gravity.

BOILER CERTIFIED RATINGS & CAPACITIES

Fuel Type	Natural/Propane Gas	Boiler FLA	19.9*
Input BTU/hr.	4,000,000 / 1172kW	Boiler HP	116.52
Output BTU/hr.	3,892,000 / 1141 kW	Min. Gas Pressure Required	4" W.C.
Electrical Requirements	230 VAC/60 Hz/3PH	Max. Gas Pressure Allowed	14" W.C.
		Operating Weight	2866 lbs / 1300 kg

BOILER TRIM & CONTROLS

Main Gas Valve	Dungs MBC	Air Switch	Huba
Firing Valve	2" Apollo	Flow Switch	SIKA
Ignition Control	Fenwal	Blocked Flue Switch	Cleveland NS2
Operating Control	HeatNet®	Blower Motor	Ametek
High Limit	Jumo	L.W.C.O.	800
Main Ball Valve	2" Apollo	Relief Valve (WB)	1" x 1 1/2" set @ 50 psi
		Relief Valve (WW)	1 1/2" x 1 1/2" set @ 125 psi

Pump contactor strongly recommended for water heater applications.

A.S.M.E.

ASME Sect IV Fire Side	402.93 Sq. Ft. / 37.43 Sq. M.	Design Data	Max. 160 psig & 210°F
Htg Surface		Water Volume	41.3 gal. / 156.3 Liters
ASME Sect IV Water Side	371.25 Sq. Ft. / 34.49 Sq. M.	pH Level	6.5-8.5
Htg Surface			

* Add circulator amps.

BOILER TEMPERATURE RISE / PRESSURE DROP (Based on Full Input)

20°F / 11.1°C				30°F / 16.7°C				40°F / 22.2°C				50°F / 27.8°C				60°F / 33.3°C			
Flow Rate		Pressure Drop		Flow Rate		Pressure Drop		Flow Rate		Pressure Drop		Flow Rate		Pressure Drop		Flow Rate		Pressure Drop	
GPM	L/s	Ft	kPa	GPM	L/s	Ft	kPa	GPM	L/s	Ft	kPa	GPM	L/s	Ft	kPa	GPM	L/s	Ft	kPa
389.4	24.6	19.9	59.3	259.6	16.4	10.1	30.1	194.7	12.3	6.4	19.2	155.7	9.8	4.7	13.9	129.8	8.2	3.7	10.9
Flow GPM (Boiler)				Temp. Rise (°F) (Boiler**)				Vent Length (Equiv. Ft.)				Air Inlet Length (Equiv. Ft.)							
Min		Max		Min		Max		Min		Max		Min		Max					
129.8		389.4		20		60		12		160		0		160					

** Min/Max delta t reflects boiler operation at full input. For applications requiring operation above/below these parameters please consult factory.

WATER HEATER HOURLY RECOVERY CAPACITY (GPH & LPH)

40°F	22°C	60°F	33°C	80°F	44°C	100°F	56°C	120°F	67°C	140°F	78°C
11765	44471	7843	29647	5882	22235	4706	17788	3922	14824	3361	12706

Water Heater Min Flow Rates

Normal (4 to 12) gpg				Hard (12 to 15) gpg			
Flow Rate		Pressure Drop		Flow Rate		Pressure Drop	
gpm	L/s	Ft	kPa	gpm	L/s	Ft	kPa
280.0	6.2	11.4	34.1	372.0	8.3	18.4	55.0

REP FIRM _____
SUBMITTED BY _____
JOB NAME _____
ARCHITECT _____
ENGINEER _____
CONTRACTOR _____
DATE _____

TORUS 4000

Category II or Category IV Appliance
(see Installation and Operation Manual for venting information)



A Division of Mestek, Inc.
Westfield, MA 01085
(413) 564-5515